

# CURVETTE

## R/RSC-Series

### SINGLE POLE ROCKER & PADDLE SWITCHES

Since its introduction, the Curvette switch has become the barometer for versatility and performance in the switch market. Self cleaning contacts, international approvals, along with a wide variety of circuits, ratings, and actuator options make the Curvette the switch of choice for many markets.



#### Product Highlights:

- ♦ Two color visi rocker to indicate “on” function
- ♦ Ratings to 20A
- ♦ Oval or rectangular bezels
- ♦ Patented mounting wings accommodate a wide range of panel openings

#### Typical Applications:

- ♦ Appliance
- ♦ HVAC
- ♦ Food Service
- ♦ Transportation



### Dielectric Strength

UL/CSA:  
1000V - live to dead metal parts  
VDE:  
4000V - live to dead metal parts;  
750V - across open contacts

### Mechanical Life

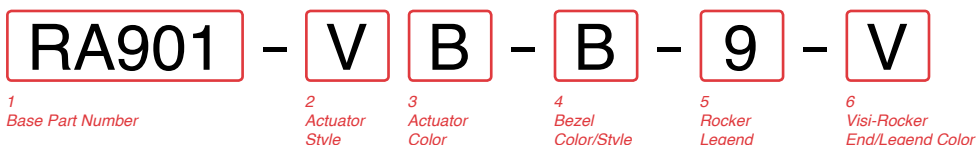
100,000 cycles

### Operating Temperature

32°F to 185°F (0°C to 85°C)

### Electrical Life

100,000 cycles



**1 BASE PART NUMBER: SERIES / CIRCUITRY / RATING <sup>1</sup> / TERMINATION**  
**10A 250 VAC; 16A 125 VAC; 3/4 HP 125-250 VAC; 10(4) A 250 VACu T85**

	Solder Lugs	.250 Tabs	Wire Leads
OFF-NONE-ON	<b>RA900</b>	<b>RA901</b>	<b>RA905</b>
ON-NONE-ON	<b>RB900</b>	<b>RB901</b>	<b>RB905</b>
ON-OFF-ON <sup>3</sup>	<b>RC910</b>	<b>RC911</b>	<b>RC915</b>
OFF-NONE-(ON) <sup>2</sup>	<b>RD220</b>	<b>RD221</b>	<b>RD225</b>

**15A 250 VAC; 20A 125 VAC; 3/4 HP 125-250 VAC**

	Solder Lugs	.250 Tabs
OFF-NONE-ON	<b>RSCA200</b>	<b>RSCA201</b>
ON-NONE-ON	<b>RSCB200</b>	<b>RSCB201</b>

**4 BEZEL COLOR / STYLE**

STANDARD	OVAL
<b>B</b> Black (matte)	<b>1</b> Black (gloss)
<b>W</b> White (matte)	<b>2</b> White (gloss)

**5 ROCKER LEGEND**

	molded in	hot stamp
NO LEGEND	<b>0</b>	<b>0</b>
Off-On vertical	<b>1</b>	<b>A</b>
Off-On horizontal	<b>2</b>	<b>B</b>
O-I horizontal	<b>8</b>	<b>D</b>
O-I vertical	<b>9</b>	<b>E</b>
dual OFF-ON/O-I	n/a	<b>H</b>

**2 ACTUATOR STYLE**

<b>M</b> Momentary Rocker	<b>R</b> Rocker
<b>P</b> Paddle	<b>V</b> Visi-rocker (2 color)

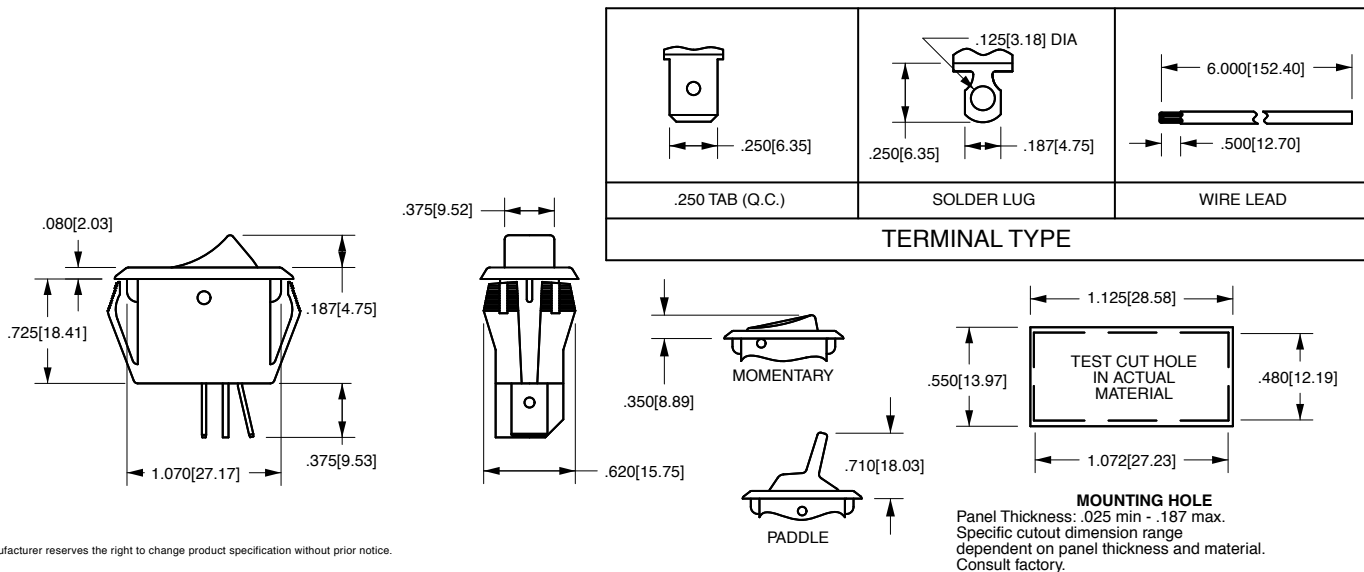
**6 VISI-ROCKER END / LEGEND COLOR**

<b>N</b> N/A
<b>B</b> Black
<b>V</b> Visi-red
<b>W</b> White

**3 ACTUATOR COLOR**

<b>1</b> Black (gloss)	<b>B</b> Black (matte)
<b>2</b> White (gloss)	<b>W</b> White (matte)

Notes:  
 PC Terminals also available, consult factory for details.  
 1 For additional ratings, consult factory.  
 2 Rating is 8A 250 VAC, 12A 125 VAC, 1/2 HP 125-250 VAC, and must specify M actuator style.  
 3 Not rated at 3/4 HP 125-250 VAC  
 ( ) indicates momentary function.



\*Manufacturer reserves the right to change product specification without prior notice.

## Authorized Sales Representatives and Distributors

Click on a region of the map below to find your local representatives and distributors or visit [www.carlingtech.com/findarep](http://www.carlingtech.com/findarep).



## About Carling

Founded in 1920, Carling Technologies is a leading manufacturer of electrical and electronic switches and assemblies, circuit breakers, electronic controls, power distribution units, and multiplexed power distribution systems. With four ISO registered manufacturing facilities and technical sales offices worldwide, Carling Technologies Sales, Service and Engineering teams do much more than manufacture electrical components, they engineer powerful solutions! To learn more about Carling please visit [www.carlingtech.com/company-profile](http://www.carlingtech.com/company-profile).

To view all of Carling's environmental, quality, health & safety certifications please visit [www.carlingtech.com/environmental-certifications](http://www.carlingtech.com/environmental-certifications)

## **Worldwide Headquarters**

Carling Technologies, Inc.  
60 Johnson Avenue, Plainville, CT 06062  
**Phone:** 860.793.9281 **Fax:** 860.793.9231  
**Email:** sales@carlingtech.com

**Northern Region Sales Office:** nrsm@carlingtech.com  
**Southeast Region Sales Office:** sersm@carlingtech.com  
**Midwest Region Sales Office:** mrrsm@carlingtech.com  
**West Region Sales Office:** wrsm@carlingtech.com  
**Latin America Sales Office:** larsm@carlingtech.com

## **Asia-Pacific Headquarters**

Carling Technologies, Asia-Pacific Ltd.,  
Suite 1607, 16/F Tower 2, The Gateway,  
Harbour City, 25 Canton Road,  
Tsimshatsui, Kowloon, Hong Kong  
**Phone:** Int + 852-2737-2277 **Fax:** Int + 852-2736-9332  
**Email:** sales@carlingtech.com.hk

**Shenzhen, China:** shenzhen@carlingtech.com  
**Shanghai, China:** shanghai@carlingtech.com  
**Pune, India:** india@carlingtech.com  
**Kaohsiung, Taiwan:** taiwan@carlingtech.com  
**Yokohama, Japan:** japan@carlingtech.com

## **Europe | Middle East | Africa Headquarters**

Carling Technologies LTD  
4 Airport Business Park, Exeter Airport,  
Clyst Honiton, Exeter, Devon, EX5 2UL, UK  
**Phone:** Int + 44 1392.364422 **Fax:** Int + 44 1392.364477  
**Email:** ltd.sales@carlingtech.com

**Germany:** gmbh@carlingtech.com  
**France:** sas@carlingtech.com



**Carling Technologies®**

Innovative Designs. Powerful Solutions.